

MICRO SWITCH

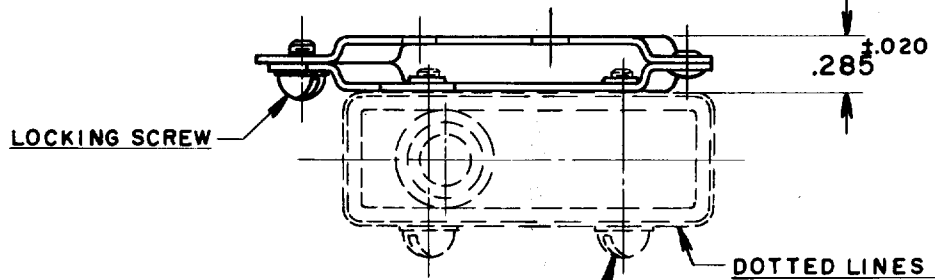
A DIVISION OF MILWAUKEE-HONEYWELL REGULATOR COMPANY
 FREEPORT, ILLINOIS

BRACKET - MOUNTING

FED. MFR. CODE 91929

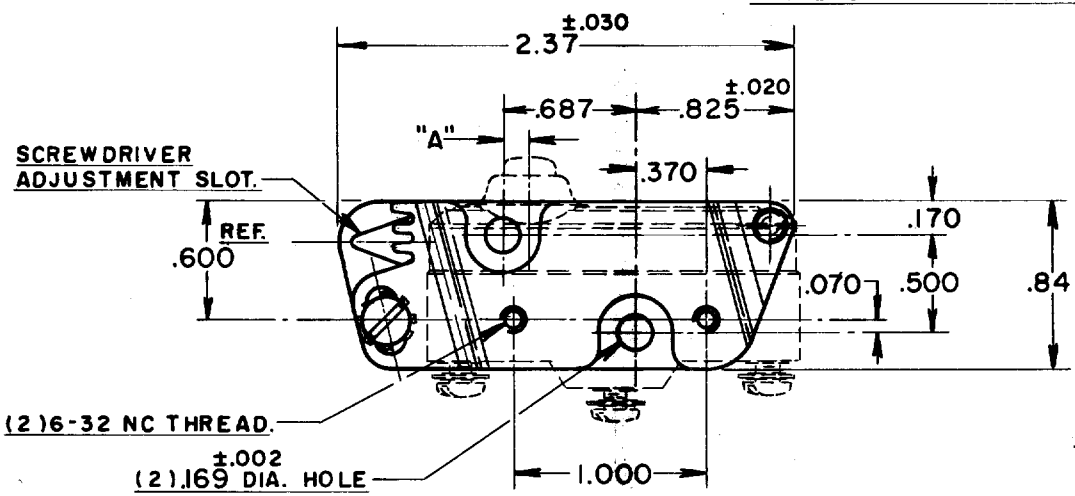
PLUNGER LOCATION

BASIC SWITCH TYPE	DIM. "A"
STANDARD	.057
TYPE Z	.140
TYPE A	.307



DOTTED LINES INDICATE TYPE Z BASIC SWITCH IN PLACE.

REF.
 (2) 6-32 NC x .875 ROUND HEAD MACHINE SCREW AND LOCKWASHER (NOT FURNISHED).



(2) 6-32 NC THREAD.
 ±.002
 (2) .169 DIA. HOLE

NOTE-

- 1-BRACKET IS SHOWN AT APPROX. MIDPOINT OF TOTAL .080 ADJUSTMENT OF OPERATING POSITION.
- 2-TO ADJUST OPERATING POSITION
 - (a) LOOSEN LOCKING SCREW SLIGHTLY.
 - (b) INSERT SCREWDRIVER WITH .188 TO .250 WIDE TIP IN ADJUSTMENT SLOT AND ROTATE IN DESIRED DIRECTION.
 - (c) TIGHTEN LOCKING SCREW.

THIS DRAWING COVERS A PROPRIETARY ITEM AND IS THE PROPERTY OF MICRO SWITCH, A DIVISION OF HONEYWELL. THIS DRAWING IS NOT TO BE COPIED OR USED WITHOUT THE APPROVAL OF MICRO SWITCH.

CHARACTERISTICS	ELECTRICAL DATA		SCALE FULL
	CONTACT ARRANGEMENT	BREAK DISTANCE	DO NOT SCALE PRINT
			UNLESS OTHERWISE SPECIFIED DIMENSIONS ARE IN INCHES
			TOLERANCES ARE:
			ONE PLACE (.0) ±.030
			TWO PLACE (.00) ±.015
			THREE PLACE (.000) ±.005
			ANGLES ±
			WEIGHT

(M) SKETCH 16022
 ISSUE 1
 REPLACES SR 6517
 RELEASE NO. SR 6517
 DRAWING NUMBER
 ISSUE
 REVISIONS
 CHECK 4 JUNE '57
 CHECK 13 JUNE '57
 CHECK 31 MAY '57
 DRAWN R. L. Z.
 FO-50378